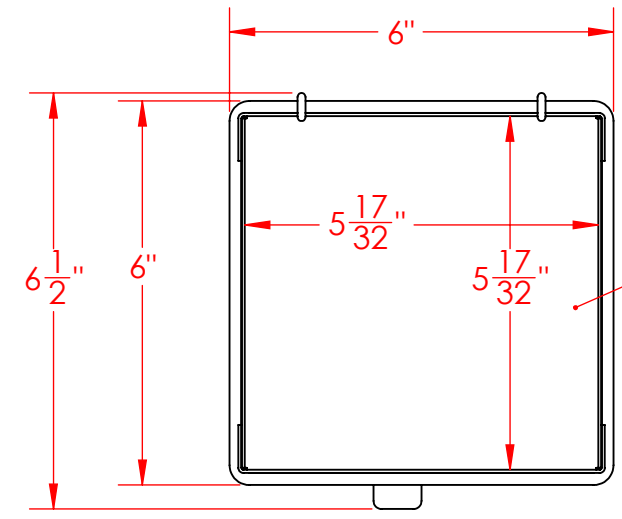
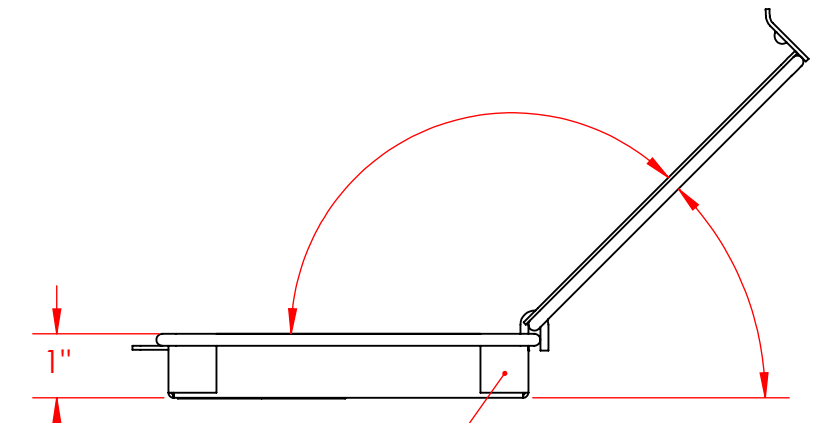
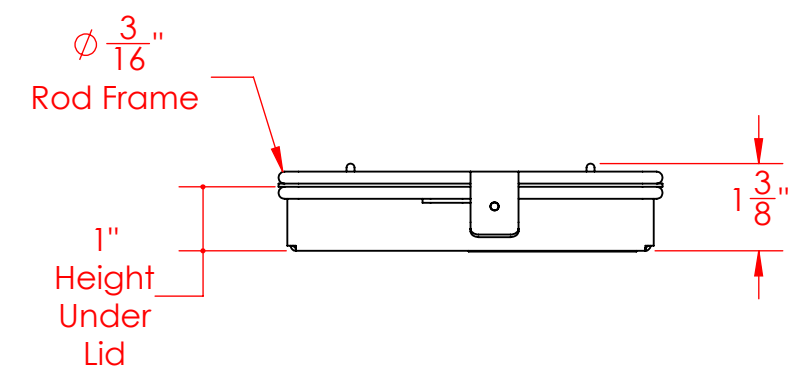


8 7 6 5 4 3 2 1

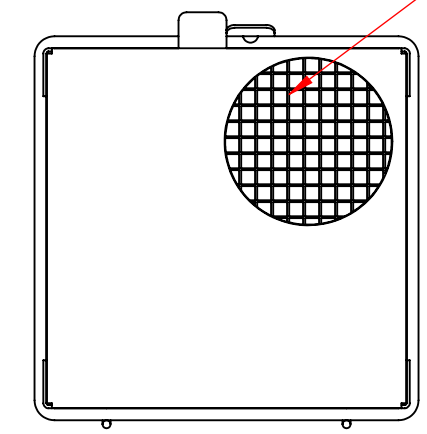
D
C
B
A



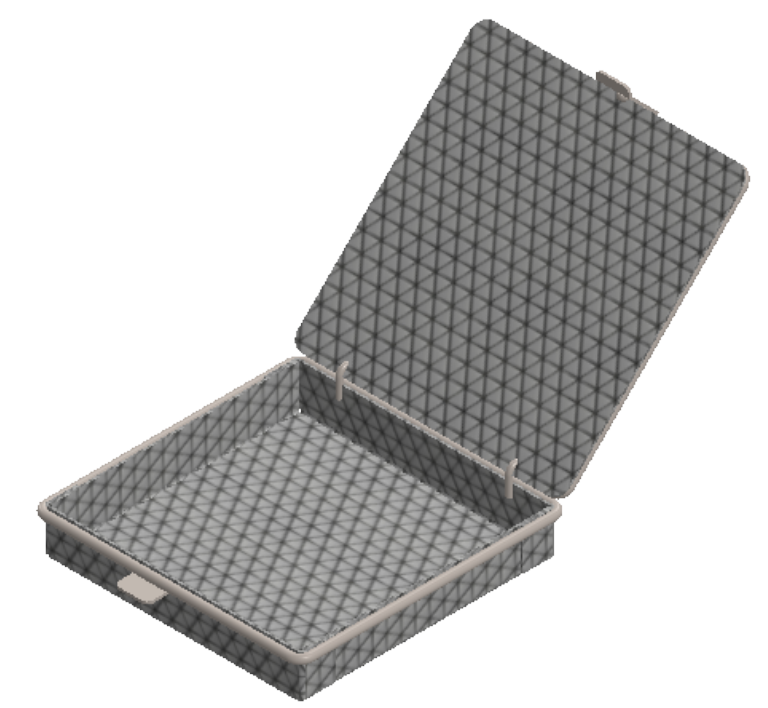
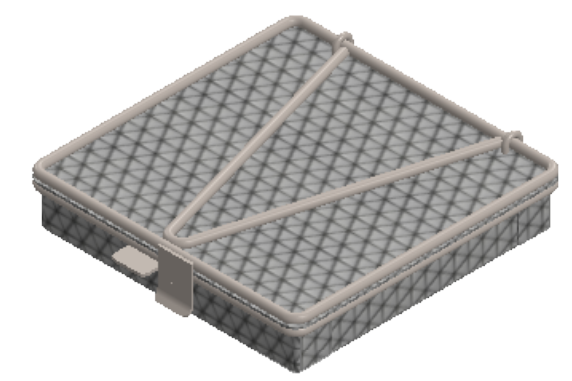
Lid Removed from View to show Approximate Inside Dimensions



Mesh Flaps to Close and Secure Corners



One Piece Mesh Body of 4 Mesh x .032" Welded Wire (.218" Openings, 76% Open Area)



UNLESS OTHERWISE SPECIFIED:

DIMENSIONS ARE IN INCHES
TOLERANCES:
FRACTIONAL ± 1/16"
ANGULAR: ± 5 DEG.
TWO PLACE DECIMAL ±0.03
THREE PLACE DECIMAL ±0.015

EST WGT
0.7 lbs.

MATERIAL
304 Stainless Steel

FINISH
Natural

DO NOT SCALE DRAWING

Light Duty Mesh Basket: 6Lx6Wx1H,
304 SS, Hinged Lid with Thumb
Clasp, No Handles, Mesh: 4 x .032

PROPRIETARY AND CONFIDENTIAL

THE INFORMATION CONTAINED IN THIS DRAWING IS THE SOLE PROPERTY OF THREE M TOOL. ANY REPRODUCTION IN PART OR AS A WHOLE WITHOUT THE WRITTEN PERMISSION OF THREE M TOOL IS PROHIBITED.

SIZE **B** DWG. NO.
FLB-060060010-L04S

SCALE: 1:3

SHEET 1 OF 1

8 7 6 5 4 3 2 1